

Aura eco 100

Toilet, en-suite and bathroom ventilation



Key Features

- Axial fan
- Ventilation up to 54 m³/hr
- Slim compact styling
- Quick and easy to fit
- Quiet - 29 dB(A)
- Low watt motor - 6w
- Low SFP - 0.36 W/l/s
- Compatible with 100mm ducting
- IPX4 rating
- 3 year warranty



SWITCHING



TIMER



HUMIDITY



MOTION
SENSOR

Aura eco 100

Highly reliable, low energy fan in a modular design for ease of installation and maintenance. The Aura eco 100 is designed to provide quiet extraction in a suitable application.

The fan comes in various control options and is recessed into the wall. The Aura range of fans are slim, compact, attractively styled, are easy to wipe clean and are ideal for through the wall installations.



Models

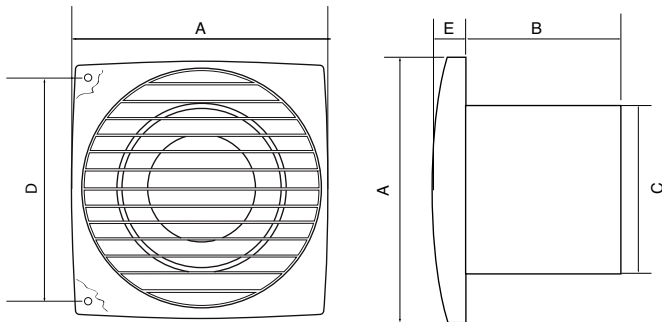
Basic	Control by Remote Switch
Timer	Timer can be set to run on between 2 and 30 minutes
Humidity Timer	Humidity sensor can be set between 60 - 90% RH
Motion Sensor Timer	PIR sensor activates fan



Technical Data

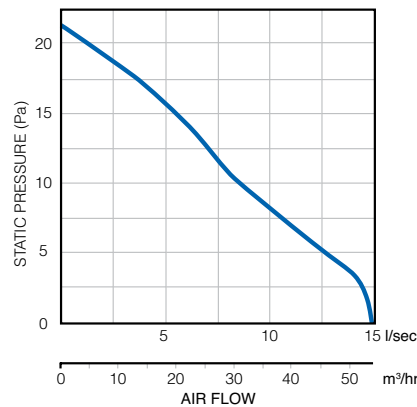
Specification	Aura eco 100B	Aura eco 100T	Aura eco 100HT	Aura eco 100MST
Air flow m³/hr / l/sec	54 / 15	54 / 15	54 / 15	54 / 15
Fan type	Axial	Axial	Axial	Axial
Controls	Basic	Timer	Humidity Timer	Motion Sensor Timer
Mounting	Wall / Ceiling	Wall / Ceiling	Wall / Ceiling	Wall / Ceiling
Sound pressure dB(A)@3m	29	29	29	29
Power watts	6	6	6	6
Amps	0.14	0.14	0.14	0.14
Specific Fan Power (SFP)	0.40	0.40	0.40	0.40
Duct diameter (mm)	100	100	100	100
Voltage	230v / 1ph / 50-60Hz	230v / 1ph / 50-60Hz	230v / 1ph / 50-60Hz	230v / 1ph / 50-60Hz
Rating	IPX4	IPX4	IPX4	IPX4
Material finish	Plastic	Plastic	Plastic	Plastic
Weight (kg)	0.56	0.56	0.56	0.56
Dimensions (H x W x D) mm	150 x 150 x 102	150 x 150 x 102	150 x 150 x 102	150 x 150 x 102
Part No.	9041347	9041348	9041349	9041350

Dimensions (mm)



Model	A	B	C	D	E
Aura eco 100	150	102	100	122	17

Performance



Controls and Accessories

A range of accessories including flexible and rigid ducting kits, controls and grilles are available.

Call: 01494 560800

Visit: airflow.com



Airflow Developments Limited
Aidelle House, Lancaster Road,
Cressex Business Park,
High Wycombe, Buckinghamshire,
United Kingdom, HP12 3QP

E-mail: info@airflow.com
Telephone: +44 (0) 1494 525252
Facsimile: +44 (0) 1494 461073
airflow.com

© Airflow Developments Limited. Airflow Developments Limited reserve the right, in the interests of continuous development, to alter specifications without prior notice. All orders are accepted subject to our conditions of sale which are available on request

